

EV 160 2/2 NC SERVO-OPERATED SOLENOID VALVE

PVC-U - PP - PVDF

FEATURES

EV 160 is a servo-operated 2/2 solenoid valve with floating diaphragm, designed to shut-off networks of non-loaded corrosive fluids*. Normally closed operation. As standard construction, the solenoid valve comes in many versions with PVC-U, PP or PTFE body with stainless steel core and internal parts, and a EPDM or FPM diaphragm. Female end connection in the PVC and PP versions and threaded connection in the PTFE version. This device operates only along the direction indicated by the arrow on its body.

*Cf. Sectoriel's table of resistance of materials



AVAILABLE MODELS

EV 160: DN15 to DN50. (PVC-U - PP)

EV 160: G1/2" to G2" (PTFE)

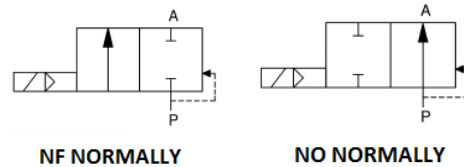
Diaphragm: EPDM, FPM.

Power supply: 230 V AC, 48V AC, 24 V AC et 24 V DC.

Class F, IP65, isolation coils, T30 connector.

Female end connections to glue and to weld.

G threaded connection.



LIMITS OF USE

Electrical protection	IP 65		
Fluid WP (bar):	See graphic		
Minimum pressure differential:	0.3 bar		
Fluid WT°:	PVC-U / EPDM	PP / FPM	PTFE / FPM
	0°C / +60°C	+10°C / +80°C	0°C / +110°C
Ambient WT°*:	0°C / +50°C		



As an Option

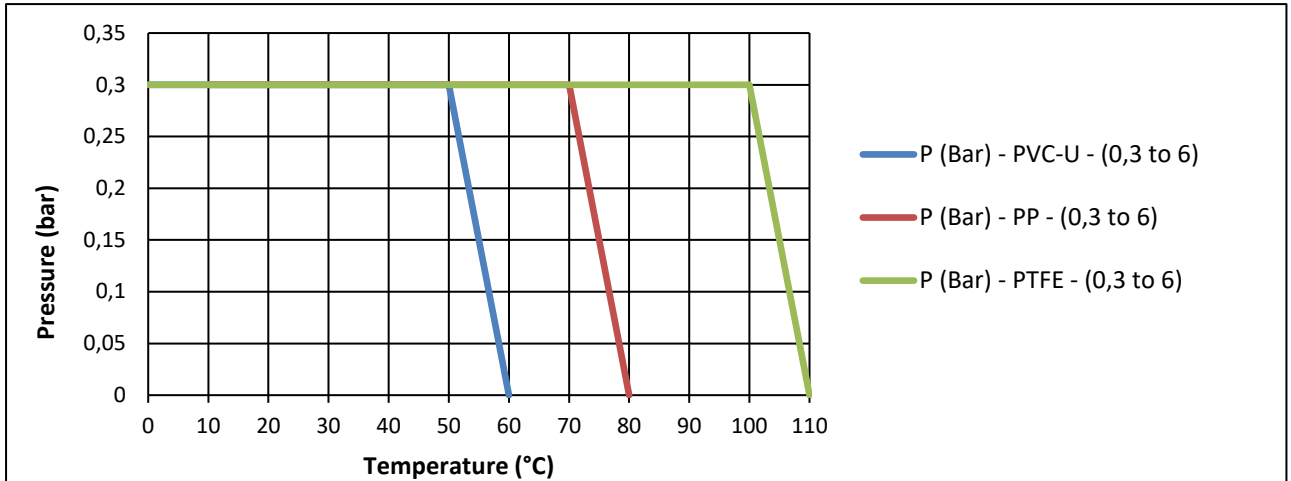
* under DC, above 40°C, the maximum Maximum differential can be reduced.

Information given as an indication only, and subject to possible modifications

	SECTORIEL S.A. 45 rue du Ruisseau 38290 SAINT QUENTIN-FALLAVIER – FRANCE Telephone: +33 4 74 94 90 70 - Fax: +33 4 74 94 13 95 www.sectoriel.com / Email : sectoriel@sectoriel.fr	Pages	1/4
		Ref.	TDS64C-EV160
		Rev.	04
		Date	07/2024

EV 160 2/2 NC SERVO-OPERATED SOLENOID VALVE

PVC-U - PP - PVDF

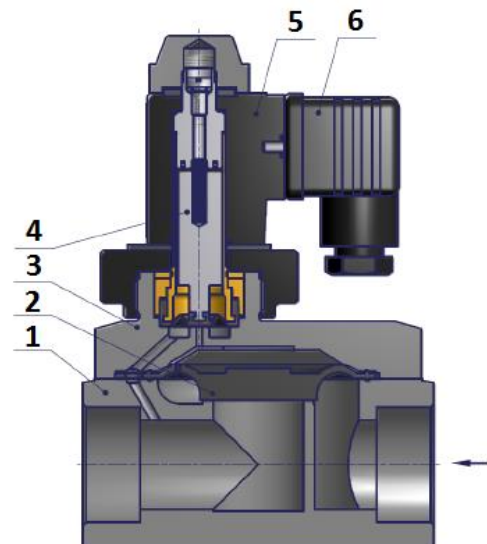


DIRECTIVES AND MANUFACTURING STANDARDS

OBJECT	Standard
Pressure Equipment Directive 2014/68/EC	DN15 to DN50: A4 § 3 for all fluids G1/2" to G2": A4 § 3 for all fluids
Low voltage directive 73/23/EC	category I
Female end connection to glue	DIN / ISO
Female end connection to weld	DIN / ISO
G threaded connection	ISO 228:
Connector	DIN EN175301-803 form A

CONSTRUCTION

N°	Name	Material
1	Body	PVC-U or PP or PTFE
2	Diaphragm	EPDM or FPM
3	Cover	PVC-U or PP or PTFE
4	Mobile core	Stainless steel
5	Coil	-
6	Connector	-



Information given as an indication only, and subject to possible modifications

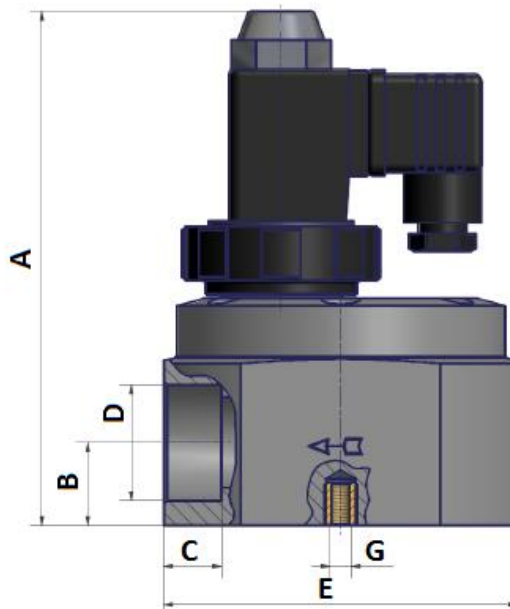
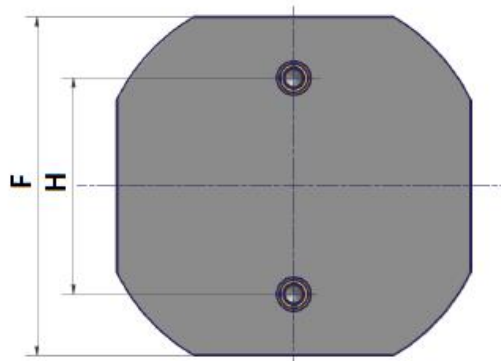
 <p>SECTORIEL robinetterie plastique</p>	SECTORIEL S.A. 45 rue du Ruisseau 38290 SAINT QUENTIN-FALLAVIER – FRANCE Telephone: +33 4 74 94 90 70 - Fax: +33 4 74 94 13 95 www.sectoriel.com / Email : sectoriel@sectoriel.fr	Pages	2/4
		Ref.	TDS64C-EV160
		Rev.	04
		Date	07/2024

EV 160 2/2 NC SERVO-OPERATED SOLENOID VALVE

PVC-U - PP - PVDF

DIMENSIONS (in mm) AND WEIGHT (kg)

DN	D (mm)		A (mm)	B (mm)	C (mm)	E (mm)	F (mm)	G (mm)	H (mm)	Weight (kg)
	PVC-U / PP	PTFE								
15	20	G1/2"	129	16	14.5	74	62	M5	40	0.6
20	25	G3/4"	143	23	16	98	94	M6	60	1.0
25	32	G1"	143	23	16	98	94	M6	60	1.0
32	40	G1" 1/4	171	31	20	124	124	M8	80	1.9
40	50	G1" 1/2	171	31	20	124	124	M8	80	1.9
50	63	G2"	189	39	20.5	140	140	M8	90	2.8



Information given as an indication only, and subject to possible modifications

	SECTORIEL S.A. 45 rue du Ruisseau 38290 SAINT QUENTIN-FALLAVIER – FRANCE Telephone: +33 4 74 94 90 70 - Fax: +33 4 74 94 13 95 www.sectoriel.com / Email : sectoriel@sectoriel.fr	Pages	3/4
		Ref.	TDS64C-EV160
		Rev.	04
		Date	07/2024

EV 160 2/2 NC SERVO-OPERATED SOLENOID VALVE

PVC-U - PP - PVDF

HYDRAULIC FEATURES

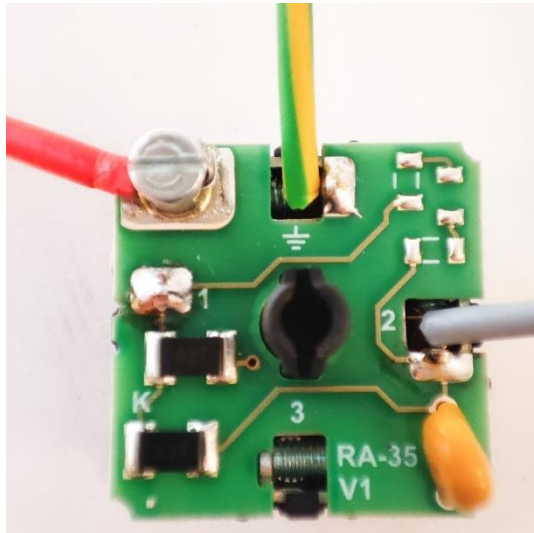
DN	G	Kv (m ³ /h)	Minimum pressure (bar)	Max pressure (bar)
15	1/2"	3.1	0.3	6
20	3/4"	9.8	0.3	6
25	1"	10.3	0.3	6
32	1" 1/4	23.2	0.3	6
40	1" 1/2	24	0.3	6
50	2"	29.6	0.3	6

ELECTRICAL FEATURES

Class F coil. Service 100%. Connection through a T30 connector.

Coil	Current	Available voltages (V)			Frequencies	Consumption
DIN	alternate	24	48	230	50 Hz	6.5 VA
	direct	24				5 W

WIRING



INSTALLATION AND SERVICING

EV 160 can be installed in all positions; the vertical position with the coil head downwards, however, is not recommended. Follow the installation and servicing instructions provided with the solenoid valve. Flow along the arrow direction.

OPTIONS

Normally open version

PTFE diaphragm.

LED connector.

ATEX II 2G Ex m II T4/II 3D IP65 T130°C version (working pressure reduced by 20% in this version).

Particular voltages.

Information given as an indication only, and subject to possible modifications

	SECTORIEL S.A. 45 rue du Ruisseau 38290 SAINT QUENTIN-FALLAVIER – FRANCE Telephone: +33 4 74 94 90 70 - Fax: +33 4 74 94 13 95 www.sectoriel.com / Email : sectoriel@sectoriel.fr	Pages	4/4
		Ref.	TDS64C-EV160
		Rev.	04
		Date	07/2024